

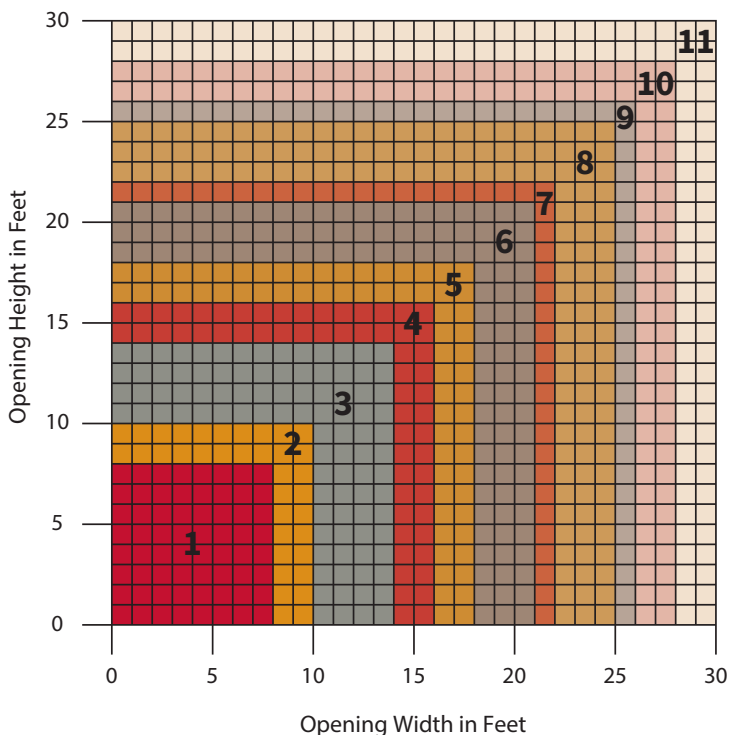
ROLLING DOORS

SERVICE DOOR

Model ESD10

MEASURE THE WIDTH AND HEIGHT OF THE DOOR OPENING

DOOR SIZE AND AREA



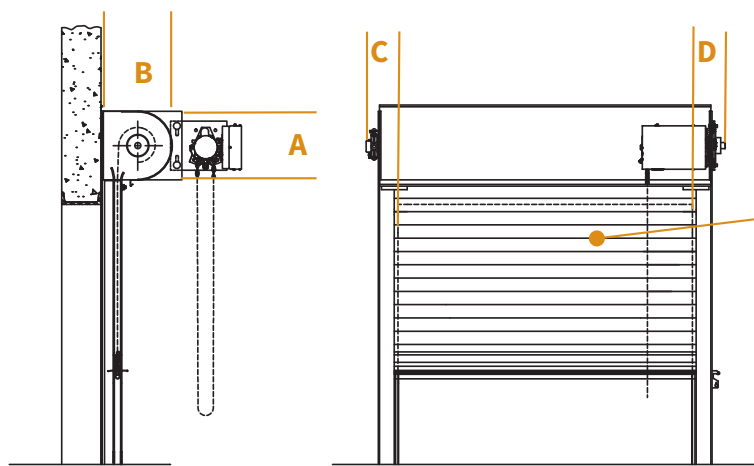
COMPONENT DIMENSIONS

Reference the zone number to view component dimensions for motorized doors.

1	14	16	5	7
2	15	17	5	7
3	16	18	5	7
4	17	19	5	9
5	18	20	5	9
6	19	21	5	9
7	20	22	7	9
8	21	23	7	9
9	22	24	7	11
10	23	25	7	11
11	24	26	7	11

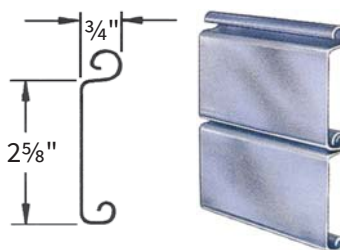
Dimensions in Inches

Zone A B C D



The dimensions featured on this sheet are provided as a guide. Please visit our website at www.cornelliron.com/drawings to generate drawings on demand with exact dimensions.

CURTAIN SLAT DESIGN



Remember, three main factors when choosing a guide assembly are:

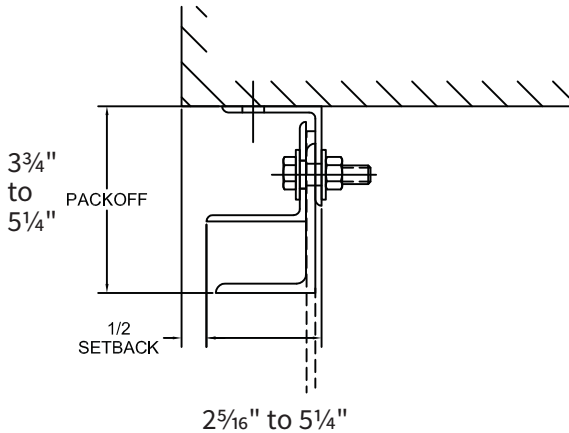
1. Wall construction
2. Operation
3. Side clearance

GUIDE CONSTRUCTION OPTIONS

FACE OF WALL

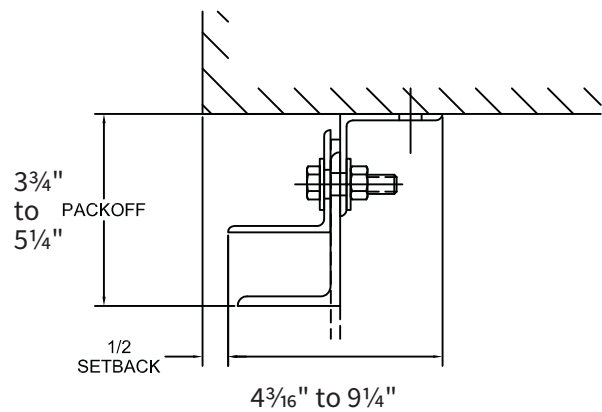
E GUIDE

Typically used with steel jamb



Z GUIDE

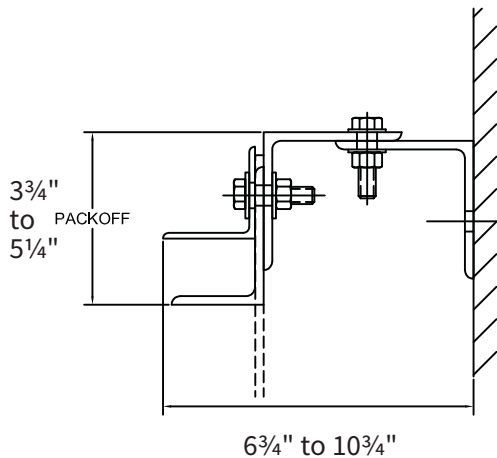
Typically used with masonry wall construction



BETWEEN JAMBS

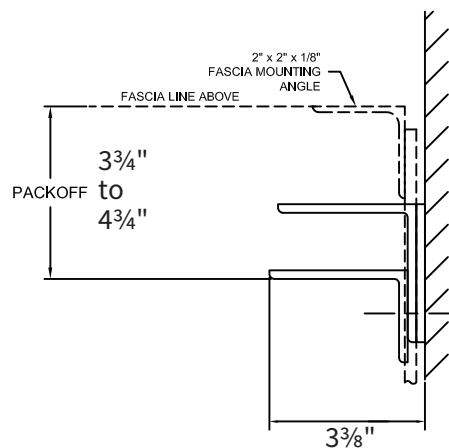
4 ANGLE

Most common for doors with chain/crank/motor operation



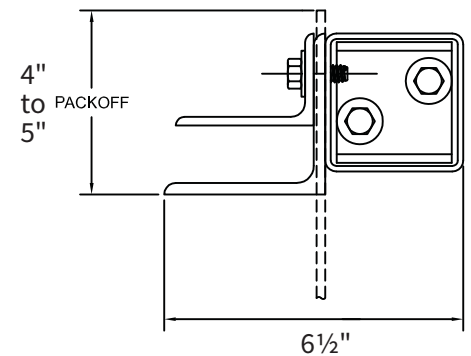
2 ANGLE

Typically used for small push-up doors that can utilize an inside spring adjustor



2 ANGLE - TUBES

Typically used if there's no wall support, or tubes and guides need to be recessed within the wall construction



The dimensions featured on this sheet are provided as a guide. Please visit www.cooksondoor.com/drawings to generate drawings on demand with exact dimensions.

CUSTOM-DESIGNED SOLUTIONS

Our experienced Architectural Design Support Team can customize our products to fit your specific application. Call 800.294.4358 ext. 4551 • ads@cooksondoor.com